



EVEZ-6648

PART INFORMATION	
PART NUMBER	APPROX WEIGHT
EVEZ-6648	4,000 lbs

REVISIONS:	No.	DATE	DESCRIPTION

THE CONTENTS OF THESE DRAWINGS ARE THE PROPERTY OF PRECON PRODUCTS, INC. AND CONFIDENTIAL. THESE DOCUMENTS SHALL NOT BE DISSEMINATED FOR ANY OTHER USE WITHOUT THE WRITTEN PERMISSION OF PRECON PRODUCTS, INC. IF YOU ARE A USER OF THESE DRAWINGS IN ERROR, RETURN TO SENDER WITHOUT READING, COPYING OR DISCLOSING THE CONTENTS.

DO NOT SCALE

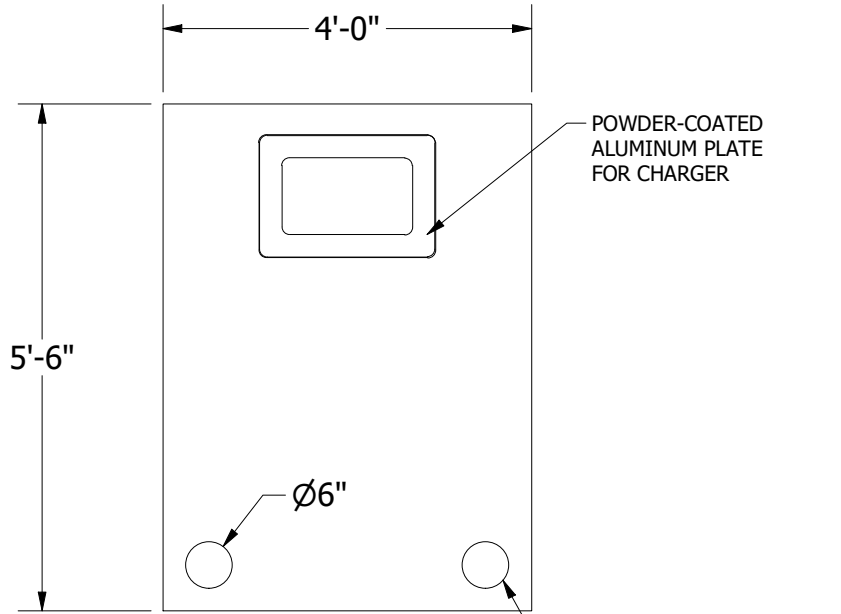
240 W. LOS ANGELES AVE.
SIMI VALLEY, CA 93065
P: (805) 527-0841 F: (805) 584-0769
WWW.PRE-CONPRODUCTS.COM

TITLE:
EVEZ-6648
5'-6" x 4'-0" x 2'-0"
CHARGING FOUNDATION

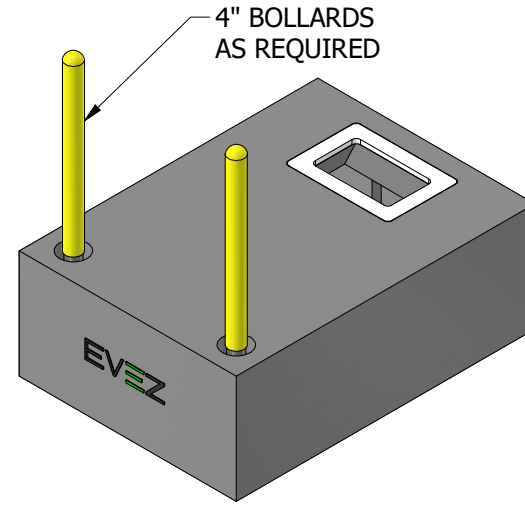
DRAWN BY:
K.Strader

DATE:
6/21/2023

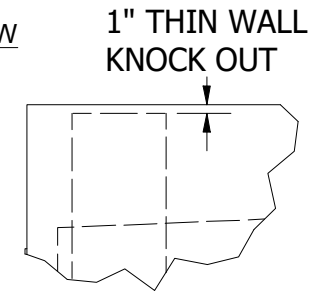
SHEET:
1 OF 1



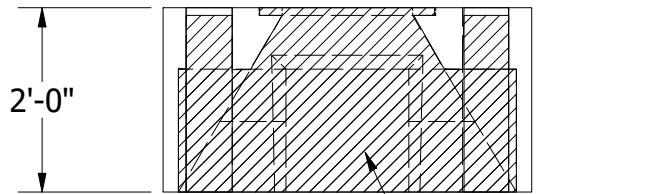
PLAN VIEW



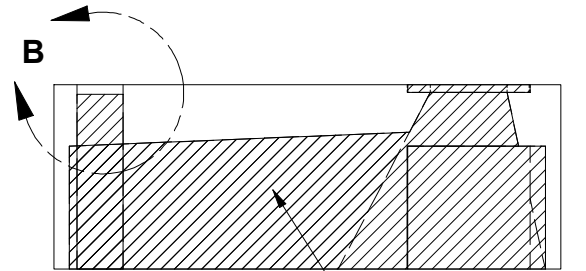
ISOMETRIC VIEW



DETAIL B
SCALE 0.08 : 1



PROFILE VIEW



SIDE VIEW