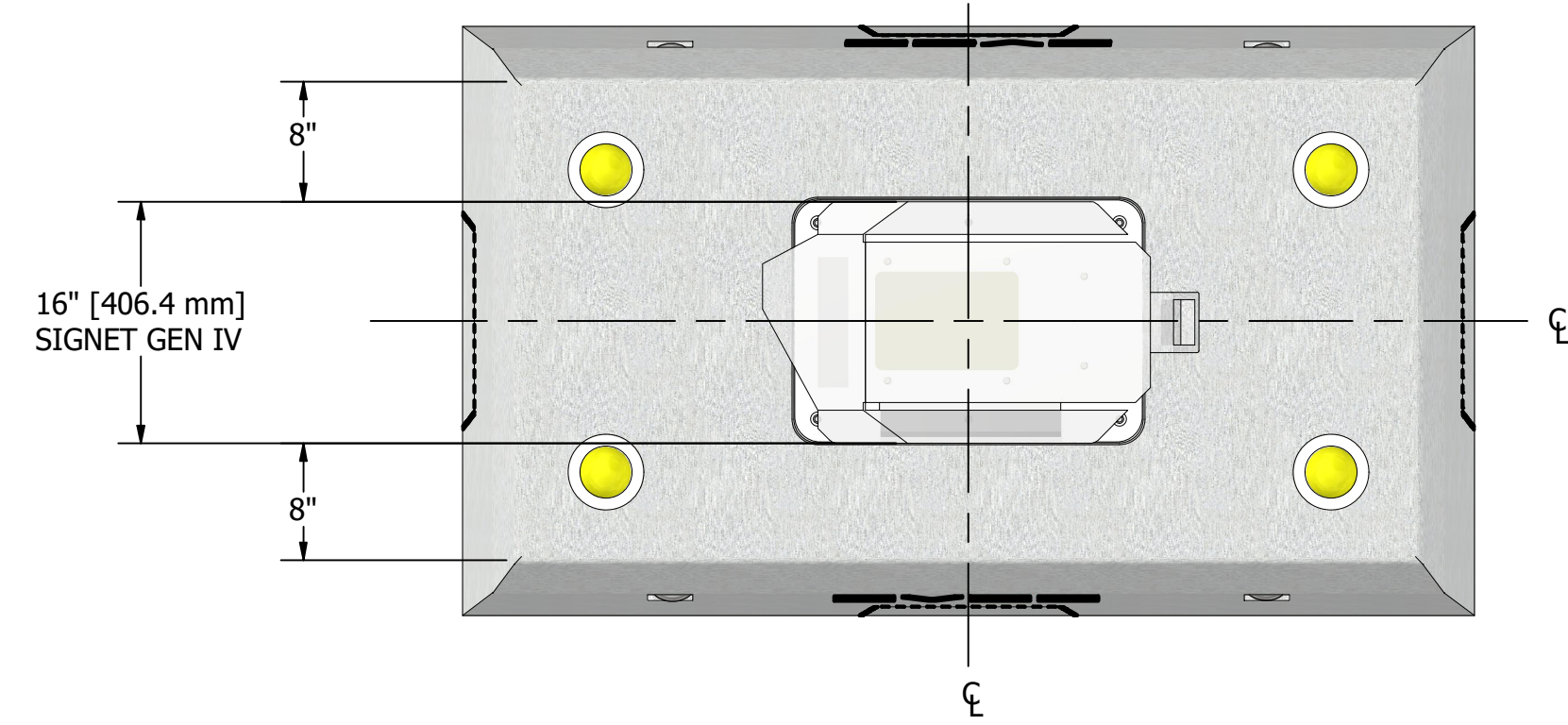


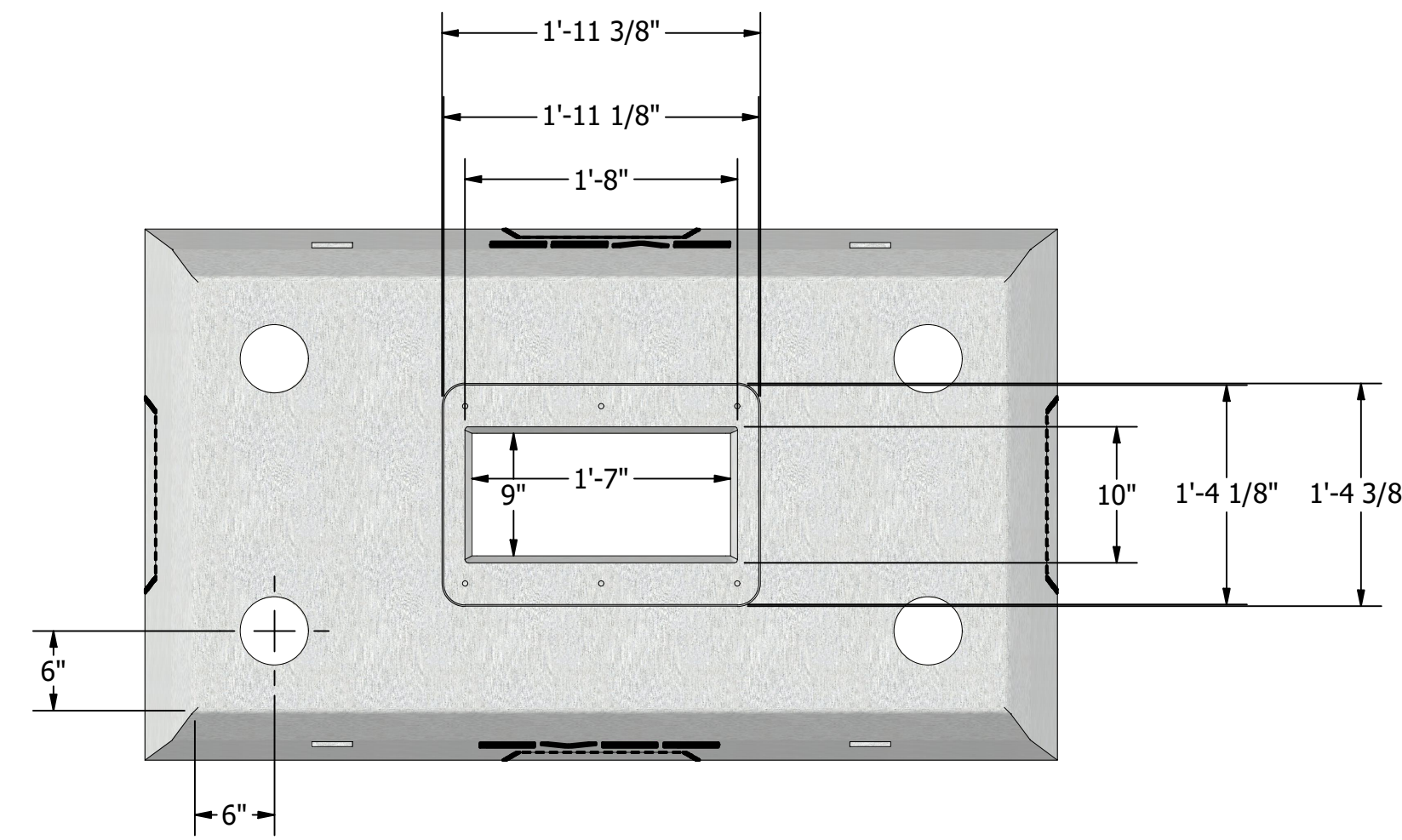
EVEZ

EVEZ-3260

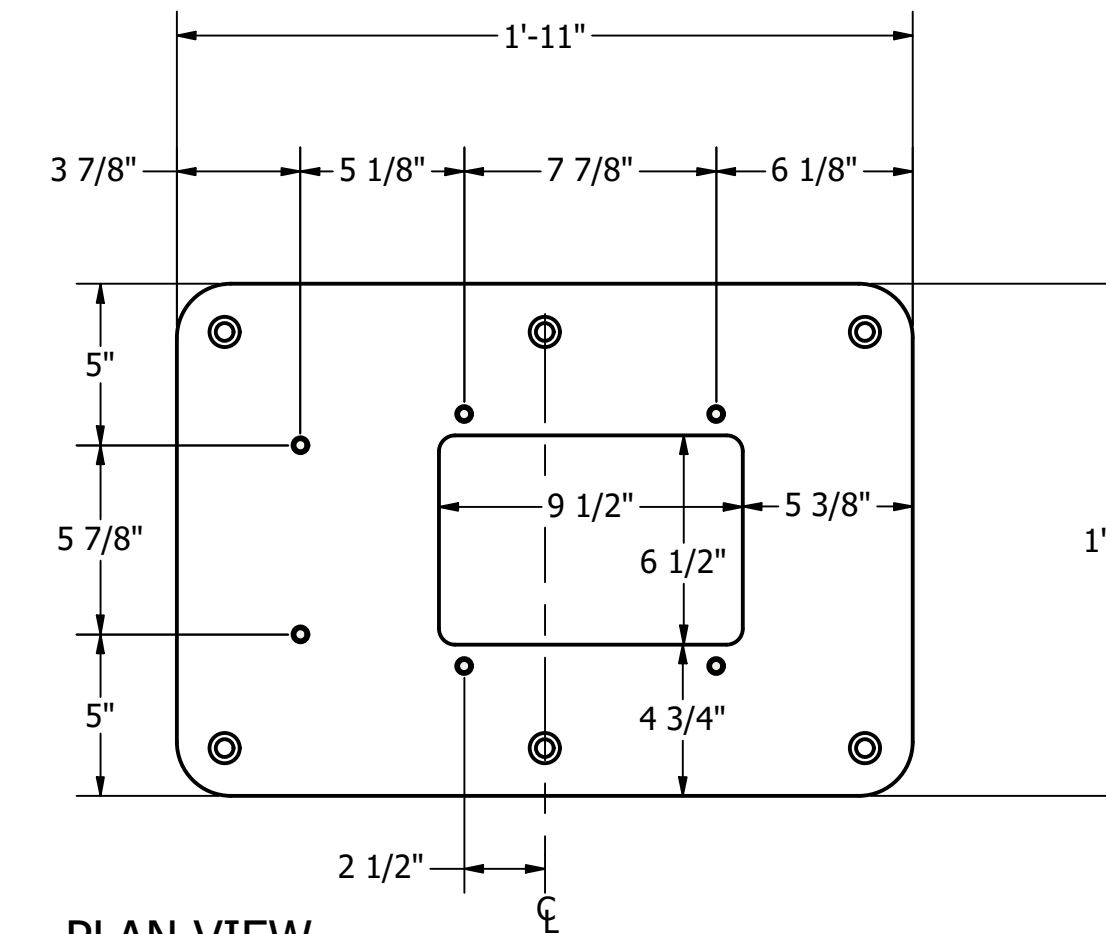
PART INFORMATION	
PART NUMBER	APPROX WEIGHT
EVEZ-3260	5,415 lbs



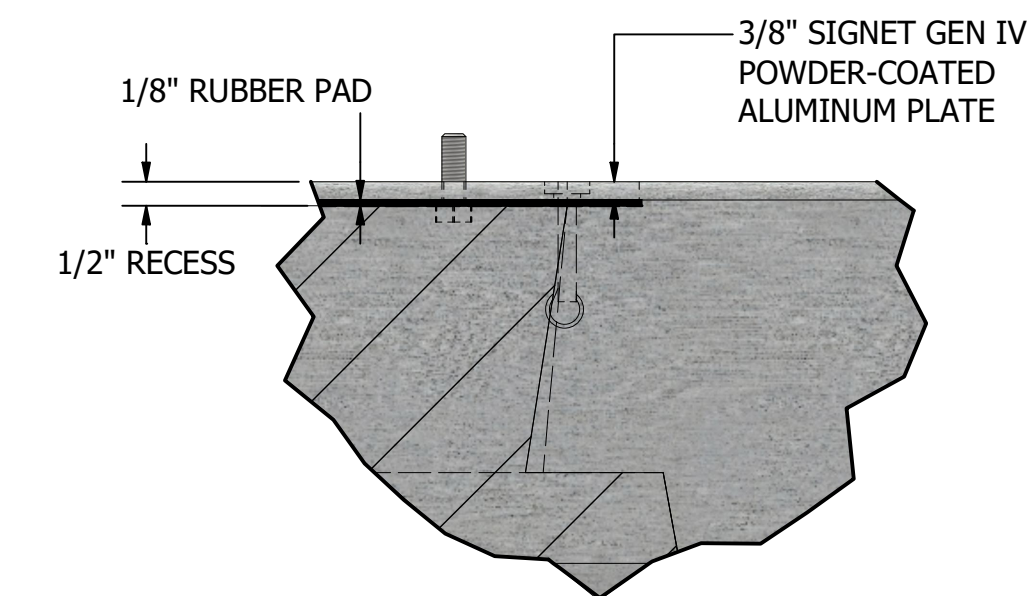
PLAN VIEW
WITH (2) SEGNET GEN IV CHARGERS, POWDER-COATED ALUMINUM PLATE AND (4) BOLLARDS



PLAN VIEW
SHOWING PLATE RECESS

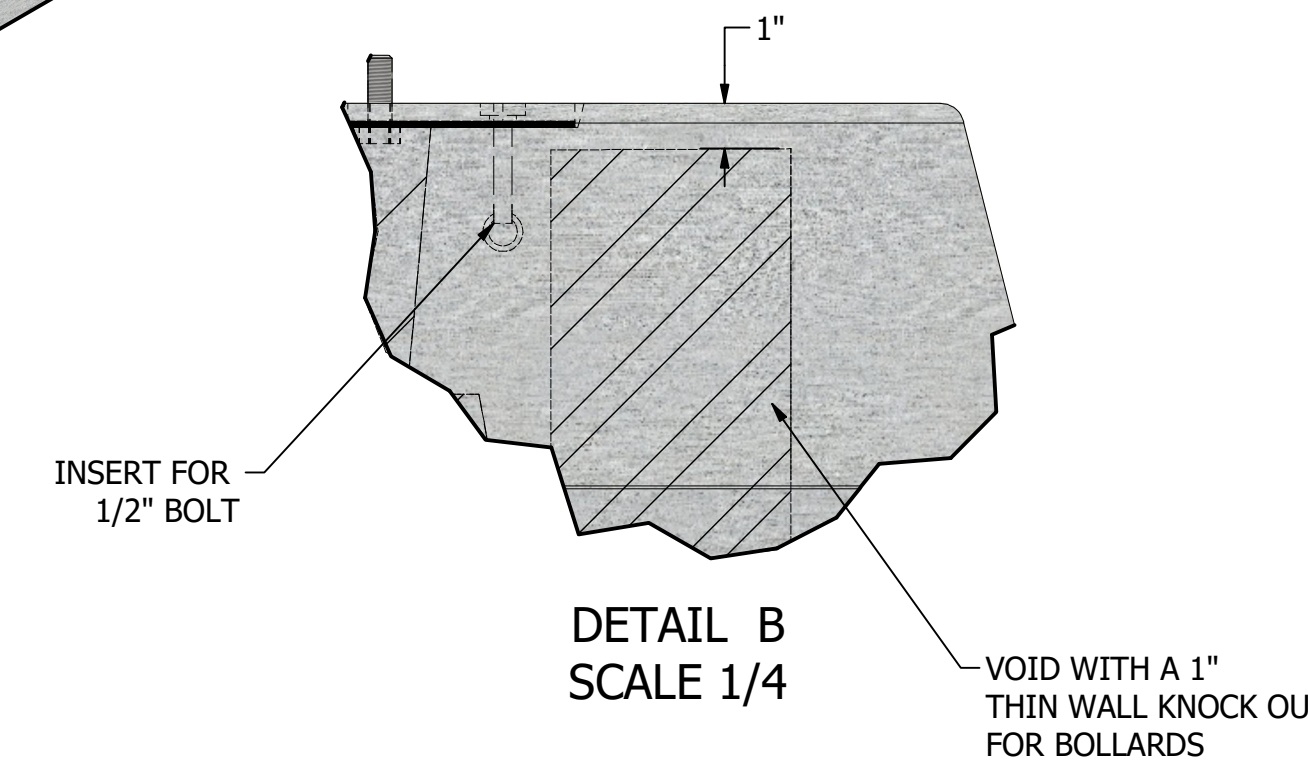


PLAN VIEW
POWDER-COATED
3/8" THICK ALUMINUM PLATE

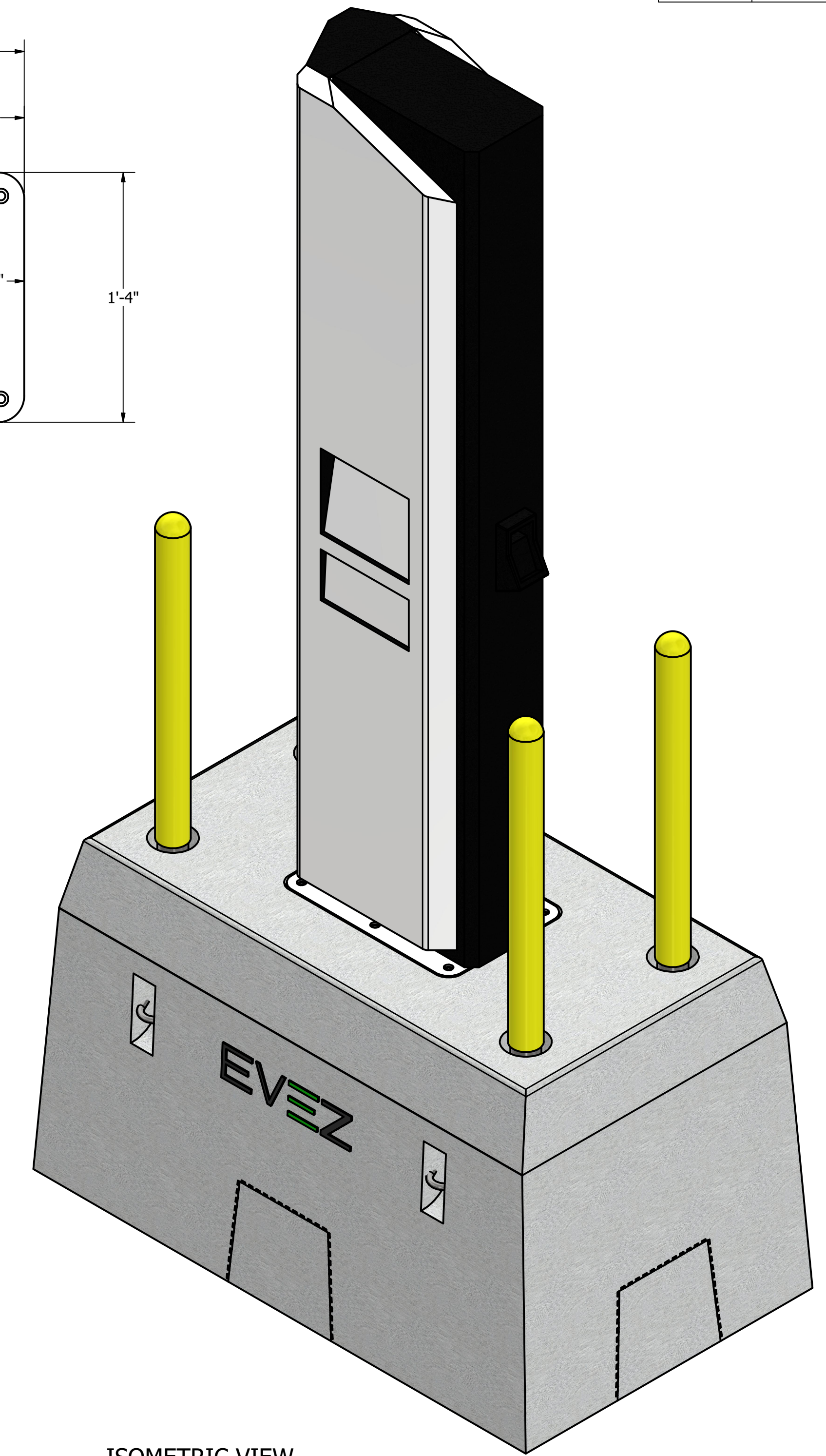


DETAIL A
SCALE 1/4

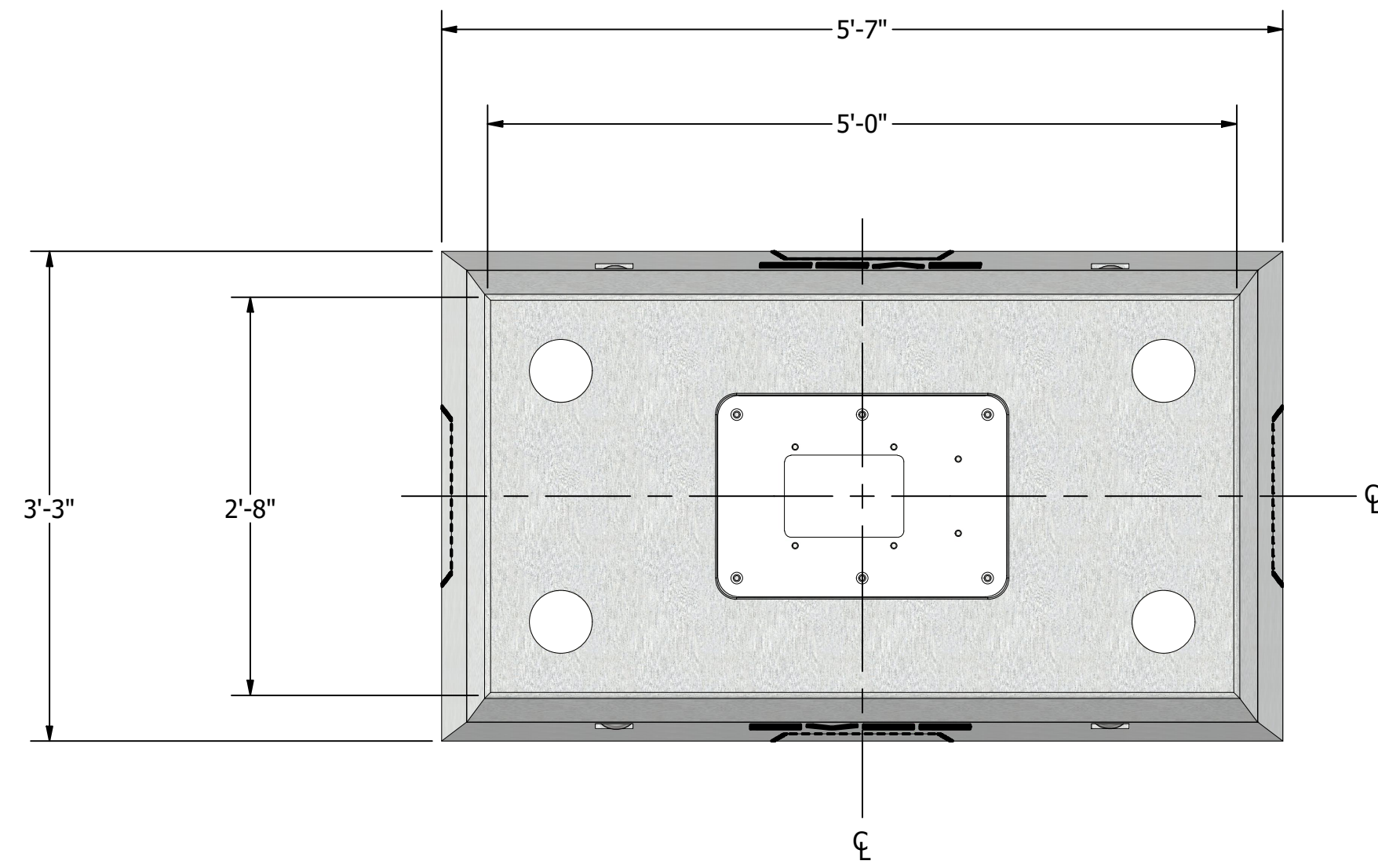
PLAN VIEW
POWDER-COATED ALUMINUM PLATE AND RUBBER GASKET



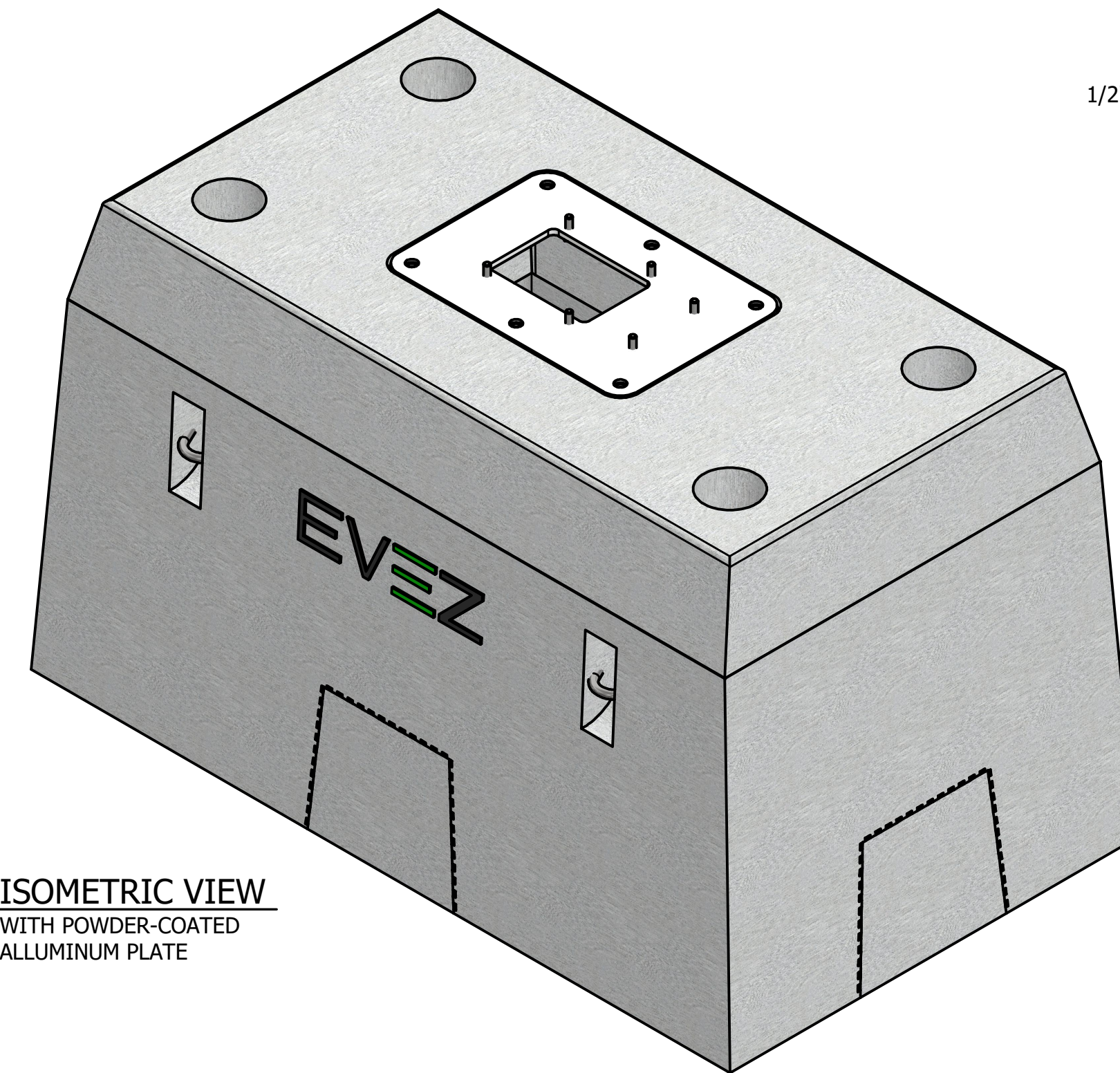
DETAIL VIEW
1" THIN WALL KNOCK OUT FOR BOLLARDS



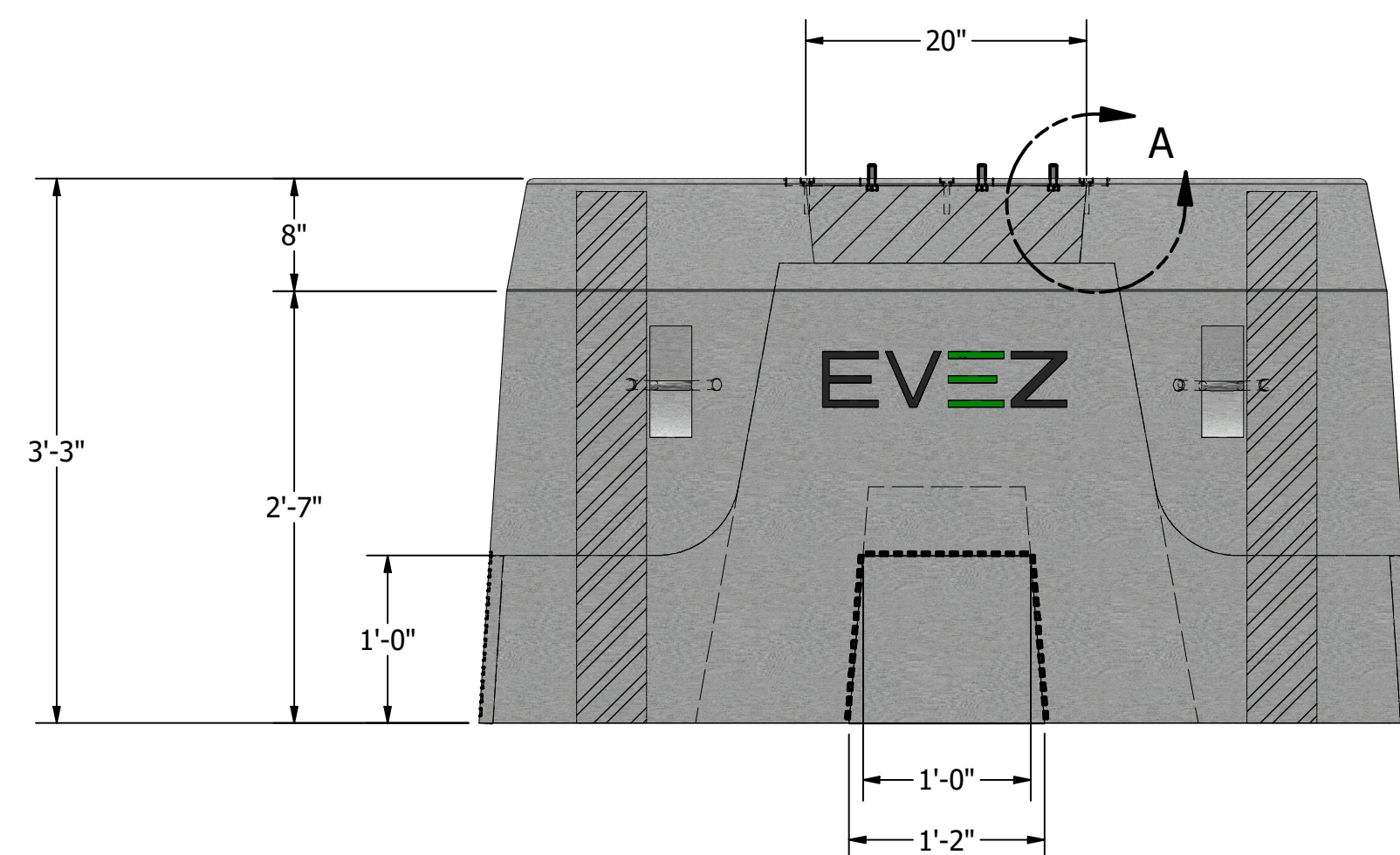
ISOMETRIC VIEW
WITH (2) SEGNET GEN IV CHARGERS, POWDER-COATED ALUMINUM PLATE AND (4) BOLLARDS



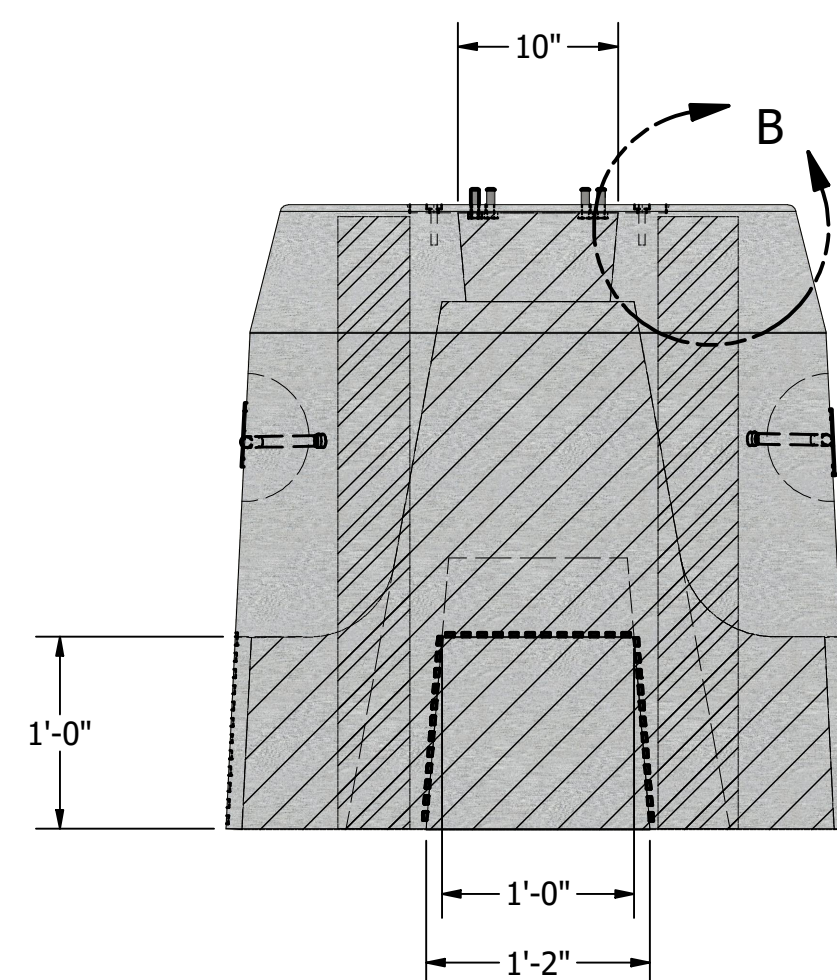
PLAN VIEW
WITH POWDER-COATED ALUMINUM PLATE



ISOMETRIC VIEW
WITH POWDER-COATED ALUMINUM PLATE



PROFILE VIEW
WITH POWDER-COATED ALUMINUM PLATE, SHOWING INSIDE VOIDS



SIDE VIEW
WITH POWDER-COATED ALUMINUM PLATE, SHOWING INSIDE VOIDS

DRAWN K.Strader	1/31/2023	240 W. LOS ANGELES AVE. SIMI VALLEY, CA 93065 805-527-0841 WWW.PRE-CONPRODUCTS.COM WWW.EVEZ.ENERGY	PRECON PRE-CON PRODUCTS
CHECKED D.ZARRAONANDIA	1/31/2023	EVEZ-3260 2'-8"x 5'-0"x 3'-3" CHARGING FOUNDATION	
MFG QA		SIZE A4	REV
APPROVED		DWG NO EVEZ-3260	
		SCALE 1/9	SHEET 1 OF 1