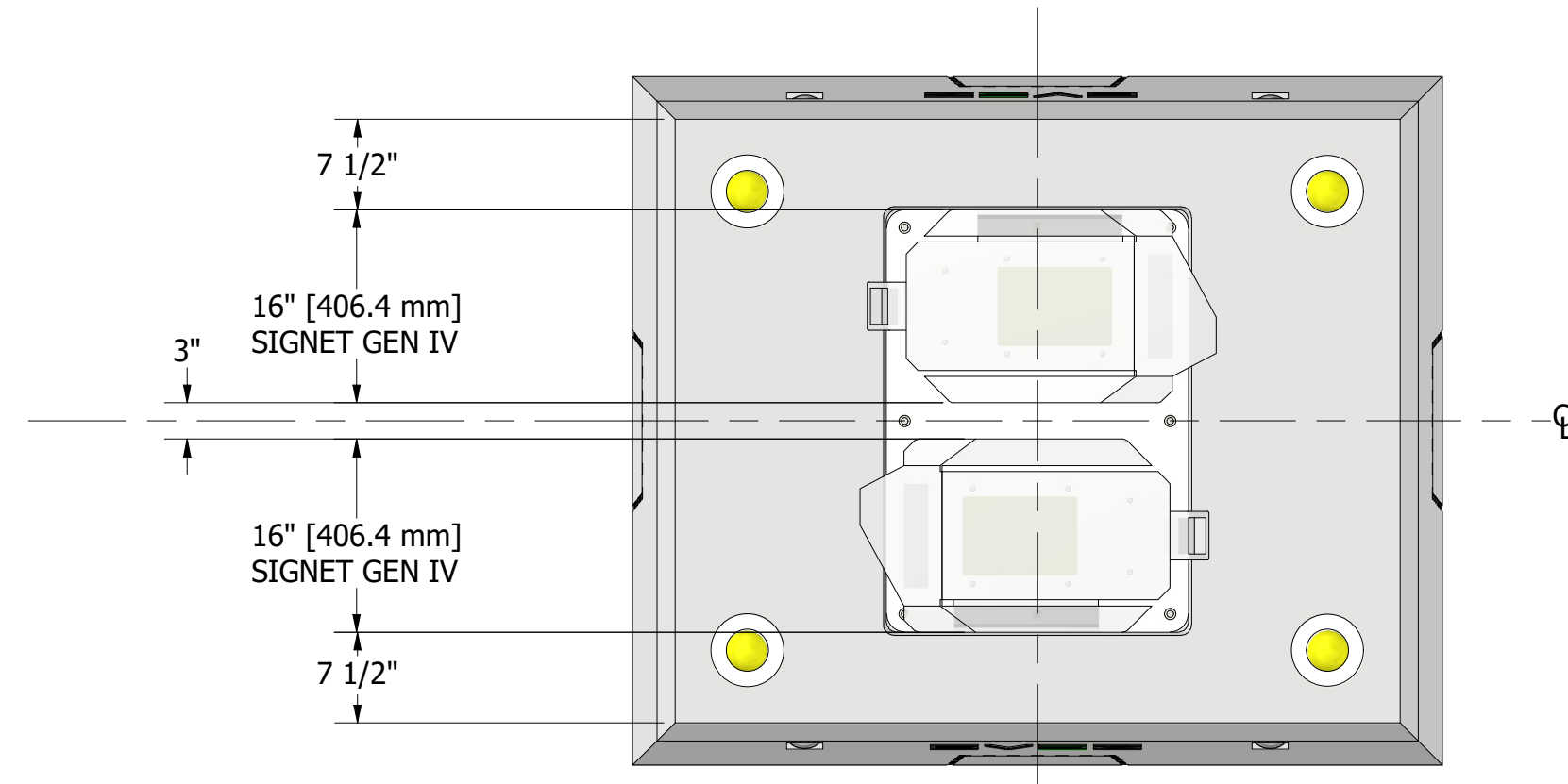
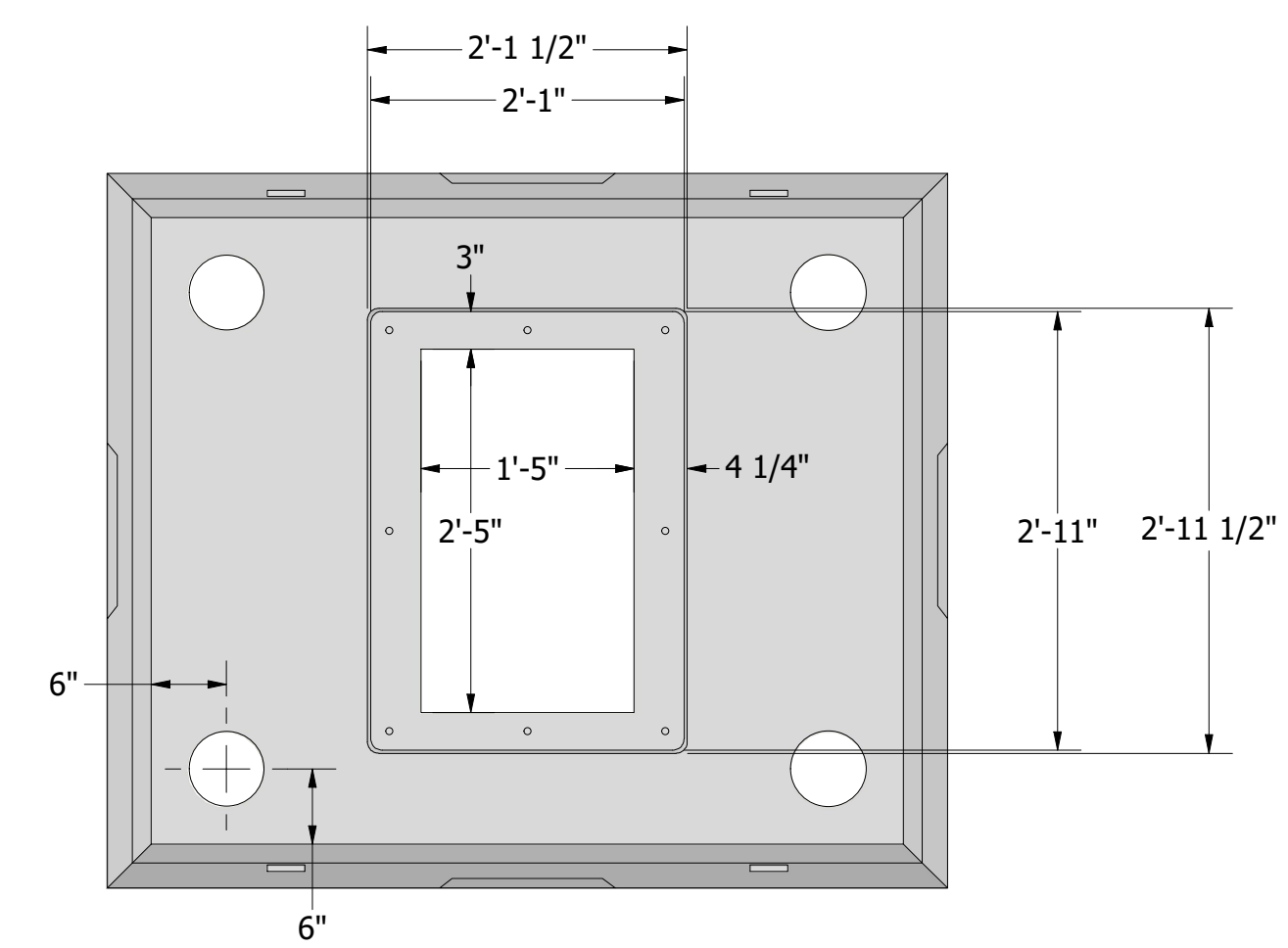


EVEZ-5060

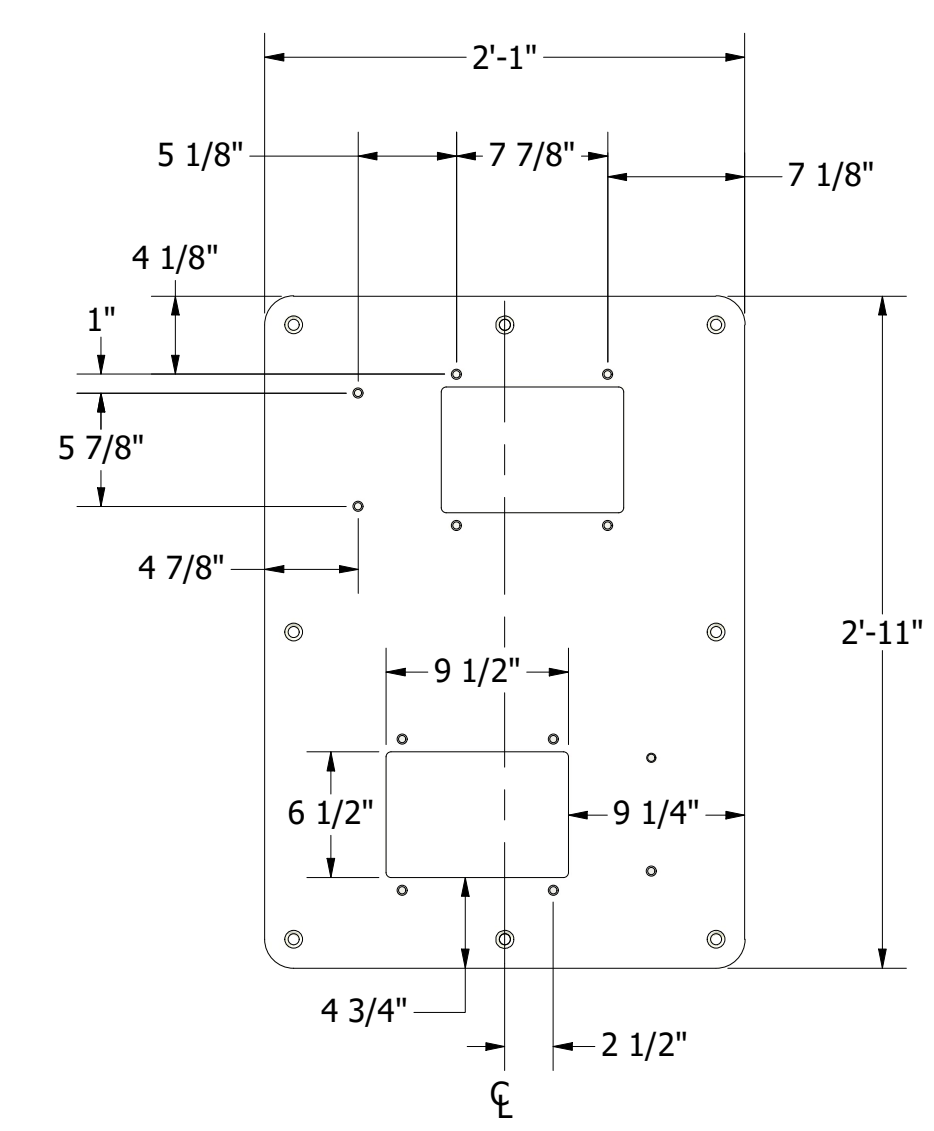
PART INFORMATION	
PART NUMBER	APPROX WEIGHT
EVEZ-5060	8,260 lbs



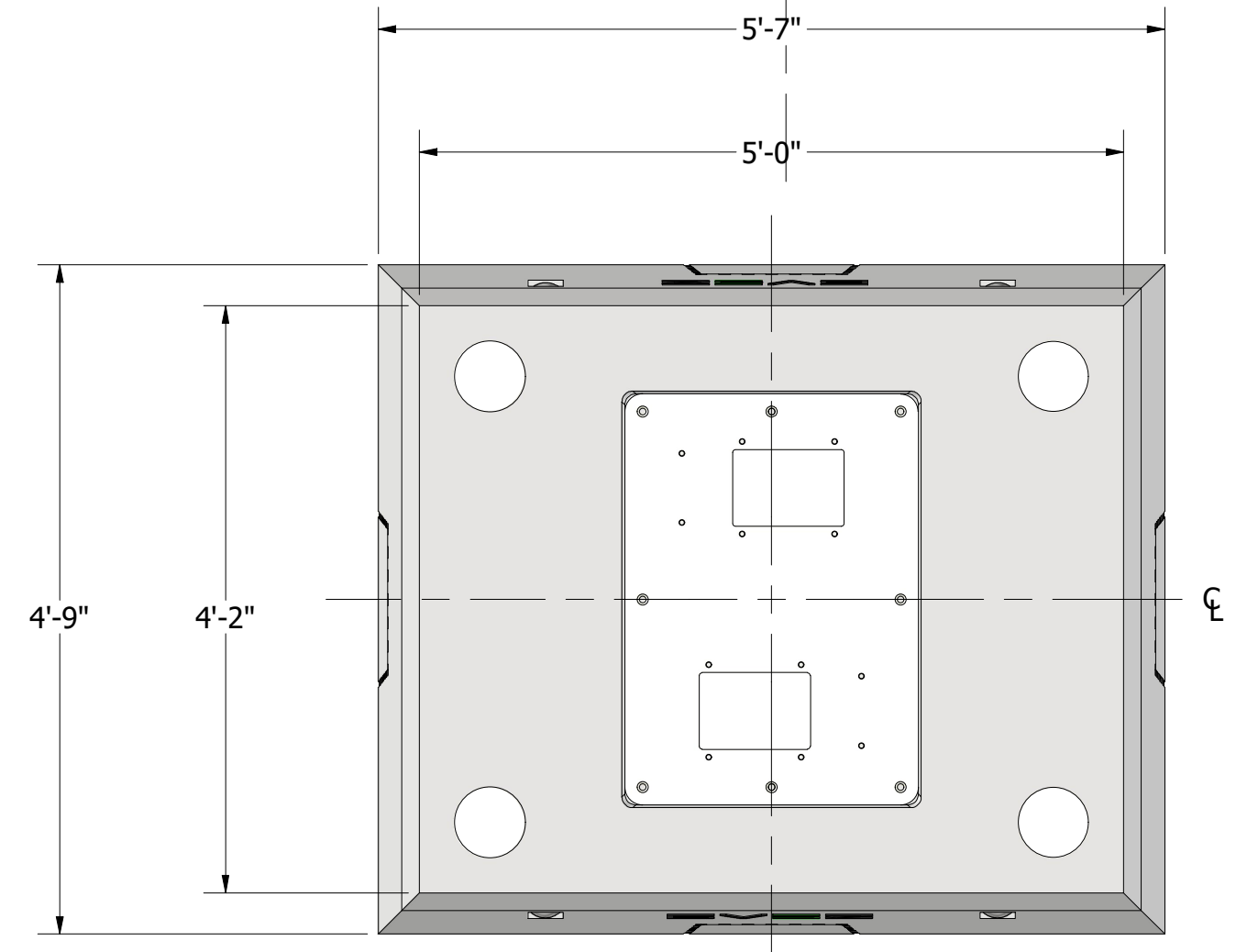
PLAN VIEW
WITH (2) SEGNET GEN IV CHARGERS, POWDER-COATED ALUMINUM PLATE AND (4) BOLLARDS



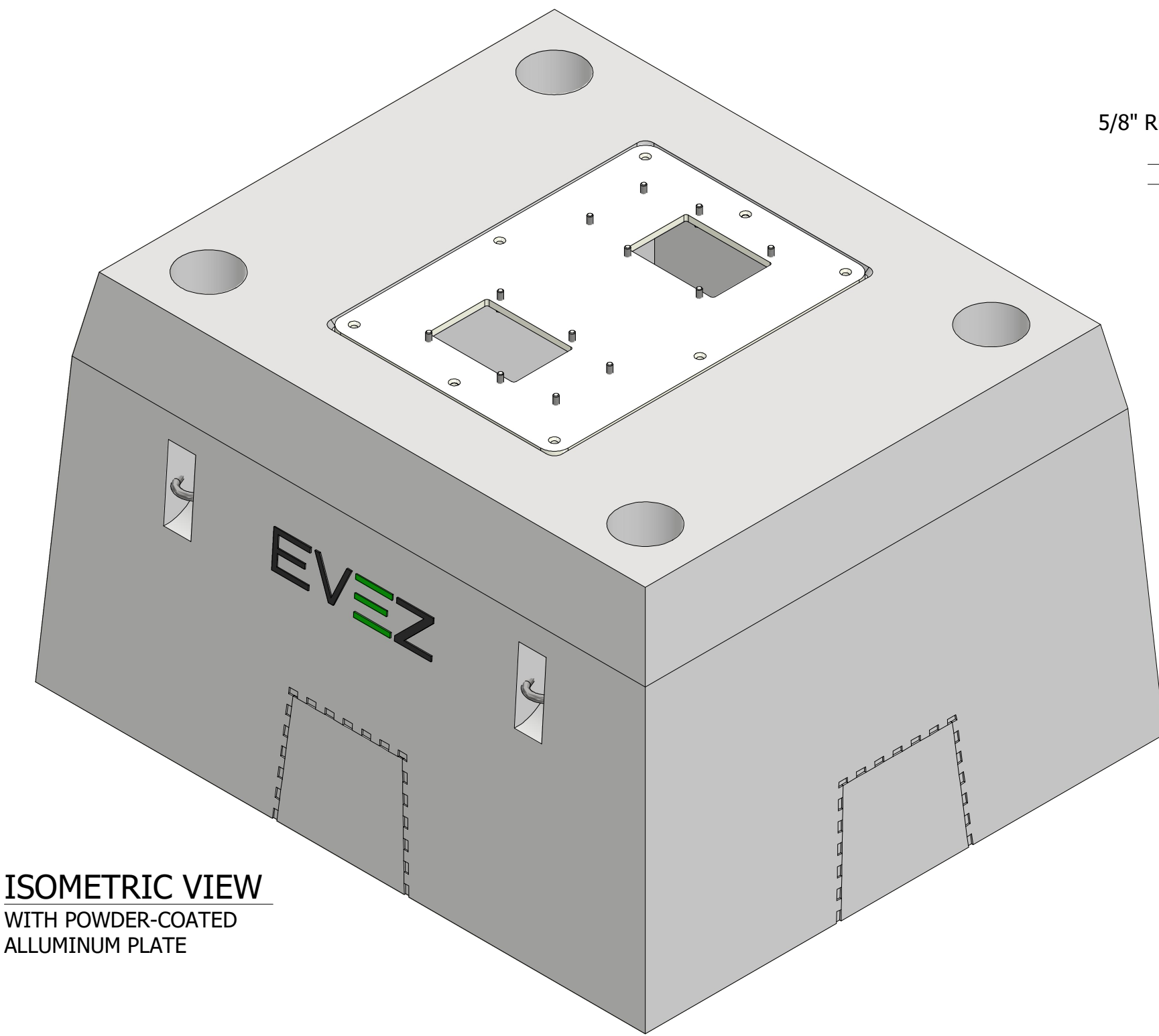
PLAN VIEW
SHOWING PLATE RECESS



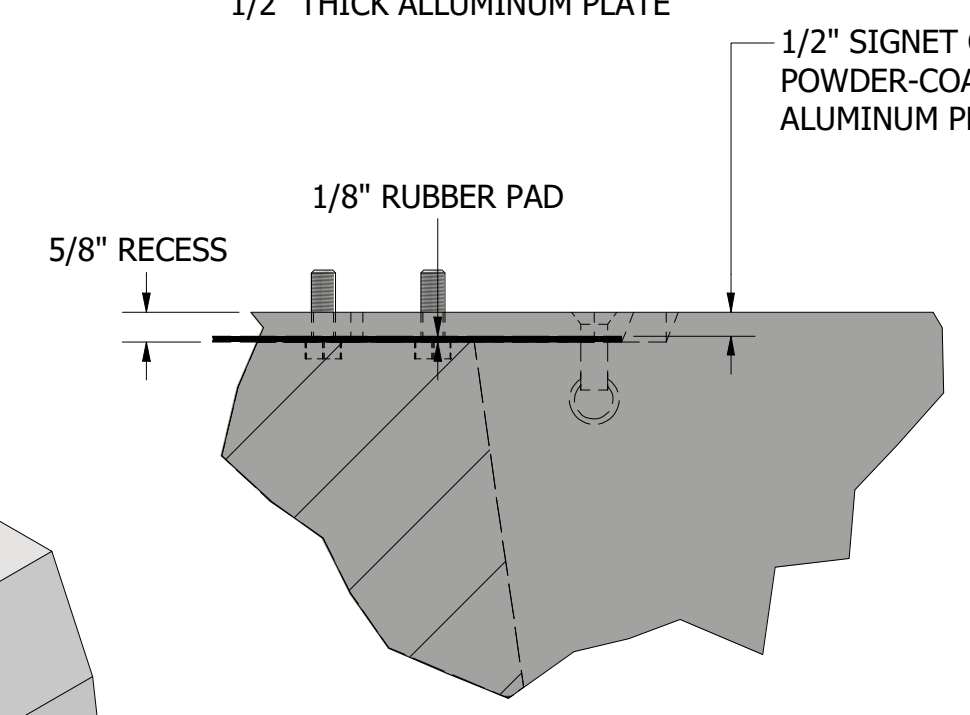
PLAN VIEW
POWDER-COATED 1/2" THICK ALUMINUM PLATE



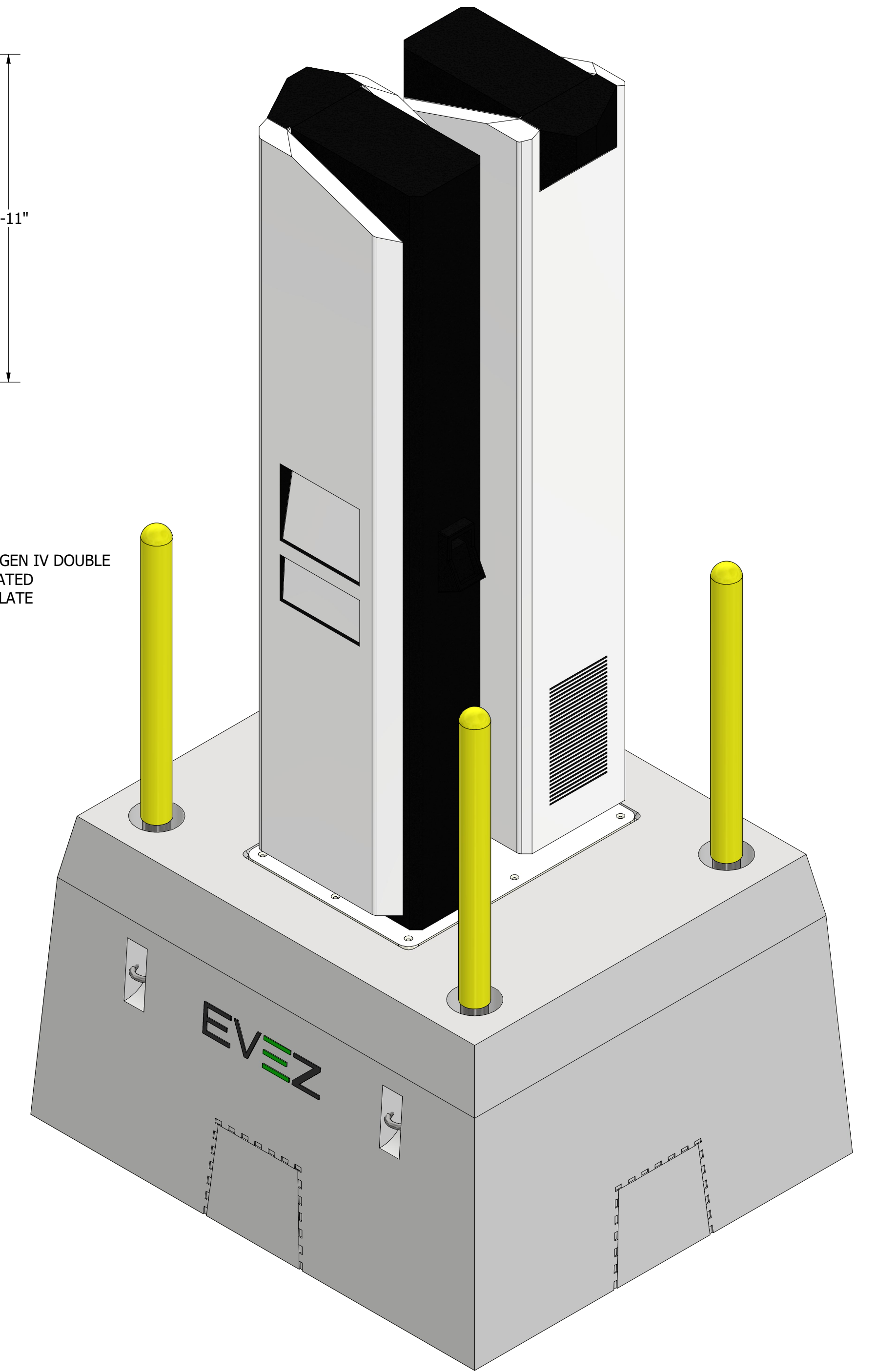
PLAN VIEW
WITH POWDER-COATED ALUMINUM PLATE



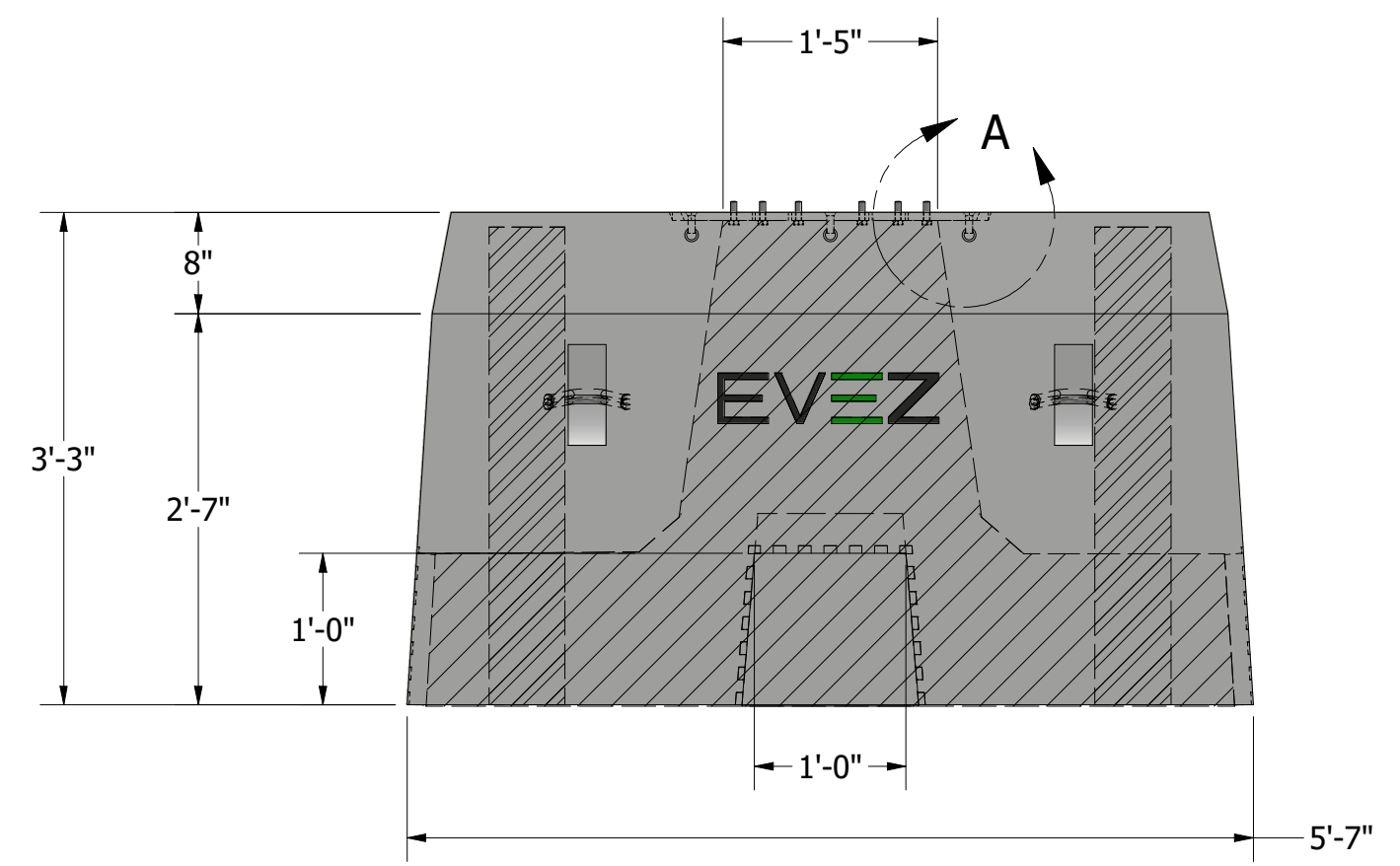
ISOMETRIC VIEW
WITH POWDER-COATED ALUMINUM PLATE



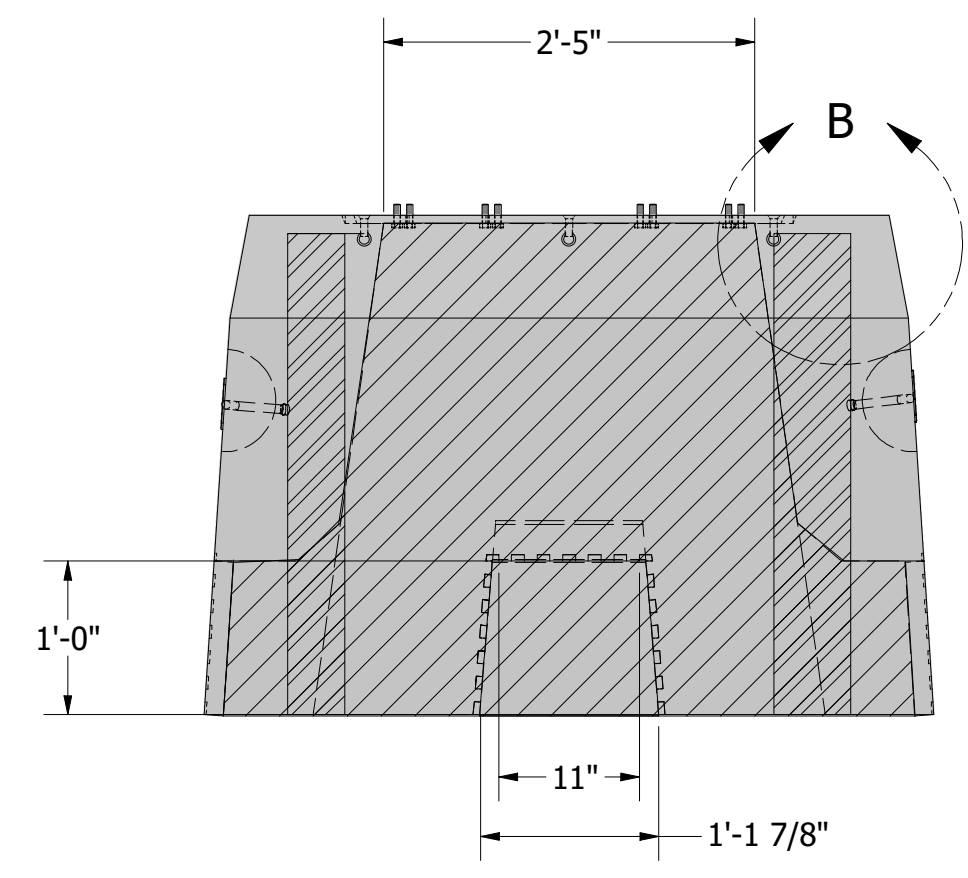
DETAIL A
SCALE 1/4



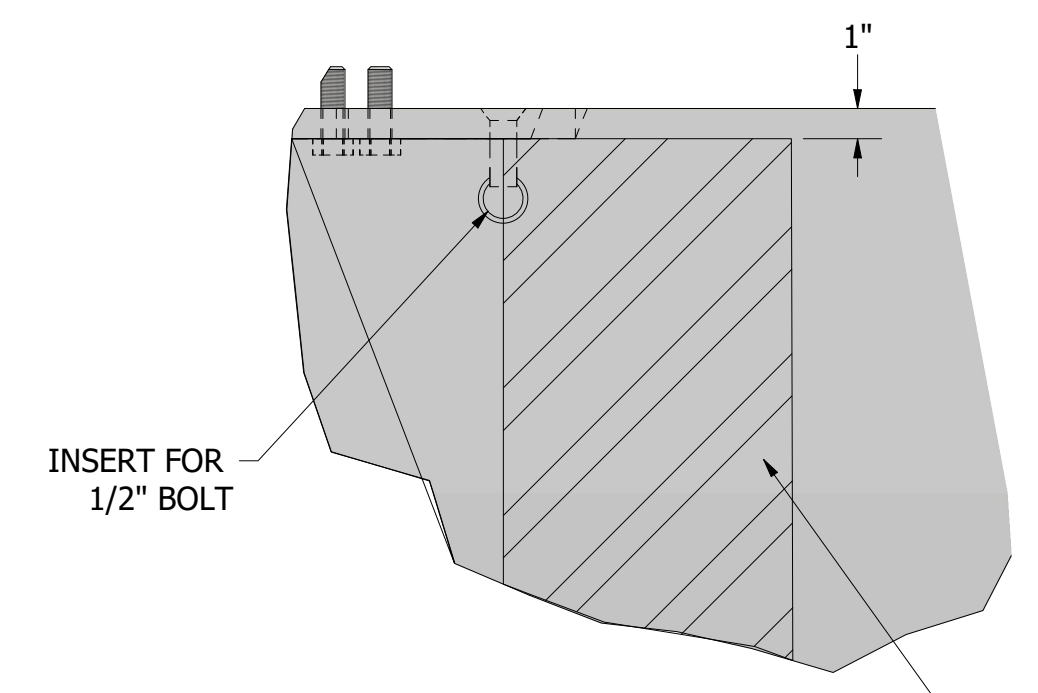
ISOMETRIC VIEW
WITH (2) SEGNET GEN IV CHARGERS, POWDER-COATED ALUMINUM PLATE AND (4) BOLLARDS



PROFILE VIEW
WITH POWDER-COATED ALUMINUM PLATE, SHOWING INSIDE VOIDS



SIDE VIEW
WITH POWDER-COATED ALUMINUM PLATE, SHOWING INSIDE VOIDS



DETAIL B
SCALE 1/4

DETAIL VIEW
1" THIN WALL KNOCK OUT FOR BOLLARDS

DRAWN K.Strader	1/31/2023	240 W. LOS ANGELES AVE. SIMI VALLEY, CA 93065 805-527-0841 WWW.PRE-CONPRODUCTS.COM WWW.EVEZ.ENERGY	PRE-CON PRE-CON PRODUCTS
CHECKED D.ZARRAONANDIA	1/31/2023	EVEZ-5060 4'-2"x 5'-0"x 3'-3" CHARGING FOUNDATION	
MFG		SIZE	REV
APPROVED		A4	
		SCALE 1/10	SHEET 1 OF 1