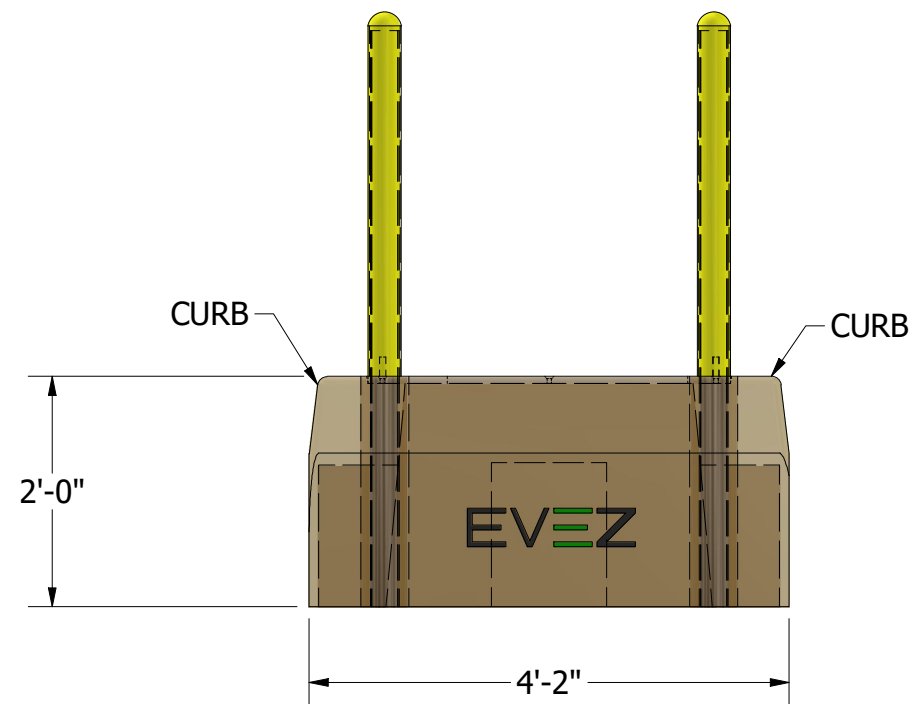
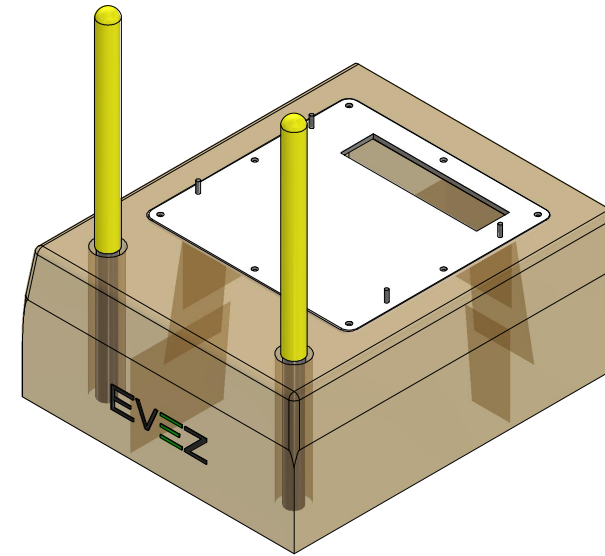
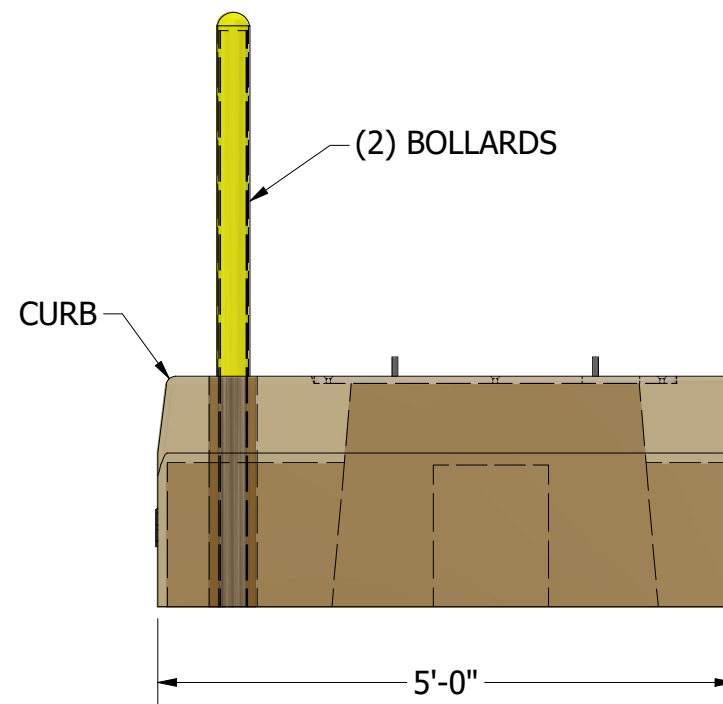


PLAN VIEW



PROFILE VIEW



Weight 3,450 lbs

REVISIONS:
No. DATE DESCRIPTION

THE CONTENTS OF THESE DRAWINGS ARE THE PROPERTY OF PRECON PRODUCTS AND ARE PROPRIETARY AND CONFIDENTIAL. THESE DOCUMENTS SHALL NOT BE DISSEMINATED FOR ANY OTHER USE, WITHOUT THE WRITTEN CONSENT OF PRECON PRODUCTS. IF YOU RECEIVE THESE DRAWINGS IN ERROR, RETURN TO SENDER WITHOUT READING, COPYING OR DISCLOSURING THE CONTENTS.

DO NOT SCALE

PRECON
240 W. LOS ANGELES AVE.
SIMI VALLEY, CA 93065
P: (805) 527-0841
WWW.PRE-CONPRODUCTS.COM

TITLE:
**SIGNET POWER BASE
POWER UNIT**

DRAWN BY:
K.Strader

DATE:
6/19/2023

SHEET:
1 OF 1