

SAMPLE VIEW

PART INFORMATION		
DESCRIPTION	QTY	APPROX. WEIGHT IN LBS
CP-188x94	50	1,150

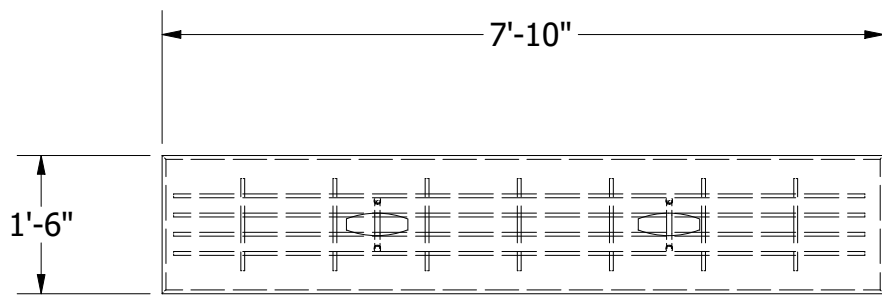
NOTES: UNLESS OTHERWISE SPECIFIED

1. CONCRETE SHALL HAVE A MINIMUM COMPRESSIVE STRENGTH $F_c=5000$ PSI AT 28 DAYS.
2. THE PORTLAND CEMENT USED IN THE PRECAST SECTIONS SHALL MEET THE REQUIREMENTS OF TYPE II/IV HIGH SULFATE RESISTANCE CEMENT IN ACCORDANCE WITH ASTM C-150.
3. CONTRACTOR TO DRILL ALL CONNECTIONS AND SUPPLY ANCHORS TO SECURE.

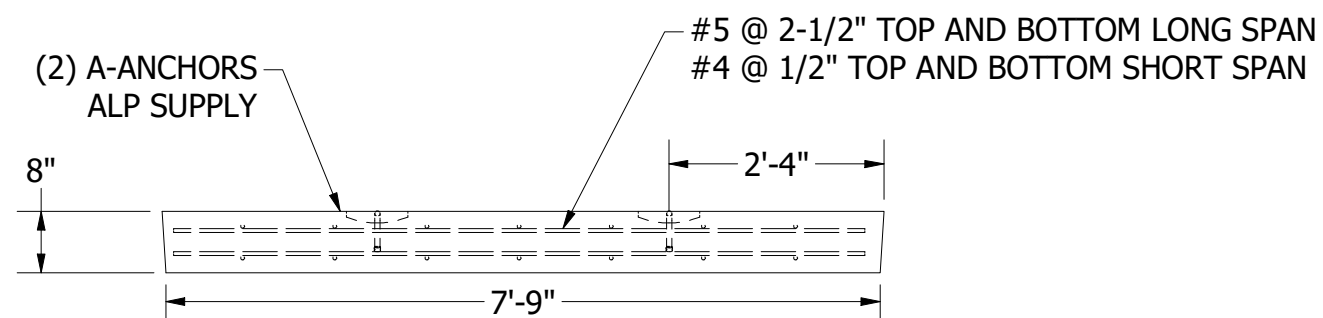
REVISIONS:
No. DATE DESCRIPTION

THE CONTENTS OF THESE DRAWINGS ARE THE PROPERTY OF PRECON PRODUCTS AND ARE PROPRIETARY AND CONFIDENTIAL. THESE DOCUMENTS SHALL NOT BE DISSEMINATED FOR ANY OTHER USE, WITHOUT THE WRITTEN CONSENT OF PRECON PRODUCTS. IF YOU RECEIVE THESE DRAWINGS IN ERROR, RETURN TO SENDER WITHOUT READING, COPYING OR DISCLOSING THE CONTENTS.

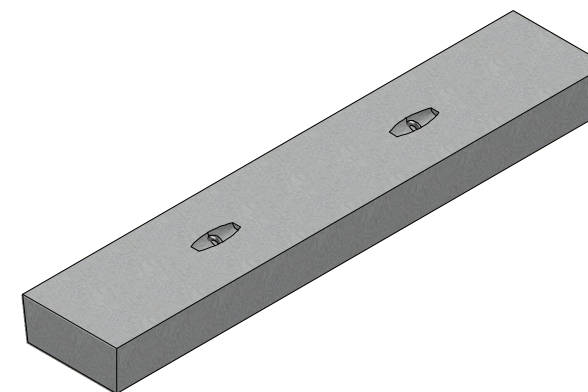
DO NOT SCALE



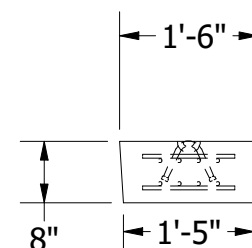
PLAN VIEW



PROFILE VIEW



ISOMETRIC VIEW



END VIEW

REV. 02 7.03.23

TITLE:
**18" Wide x 8" Thick x 94" Long
Bess Foundations**

DRAWN BY:
W.TACK

DATE:
7/3/2023

SHEET:
1 OF 1