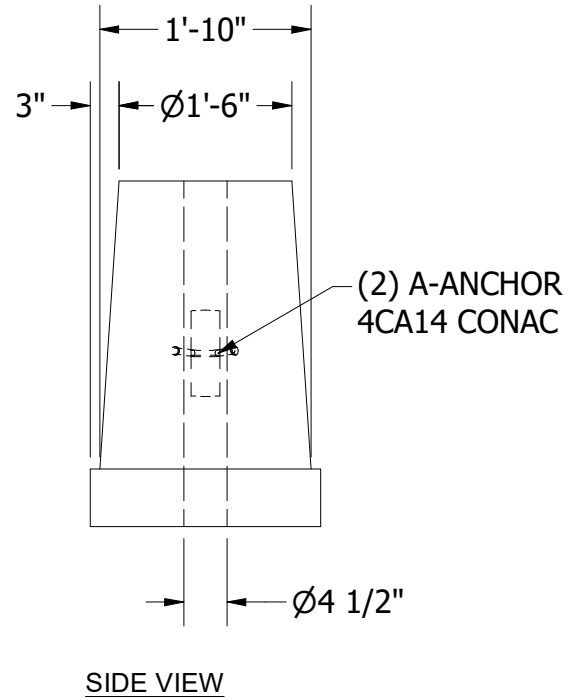
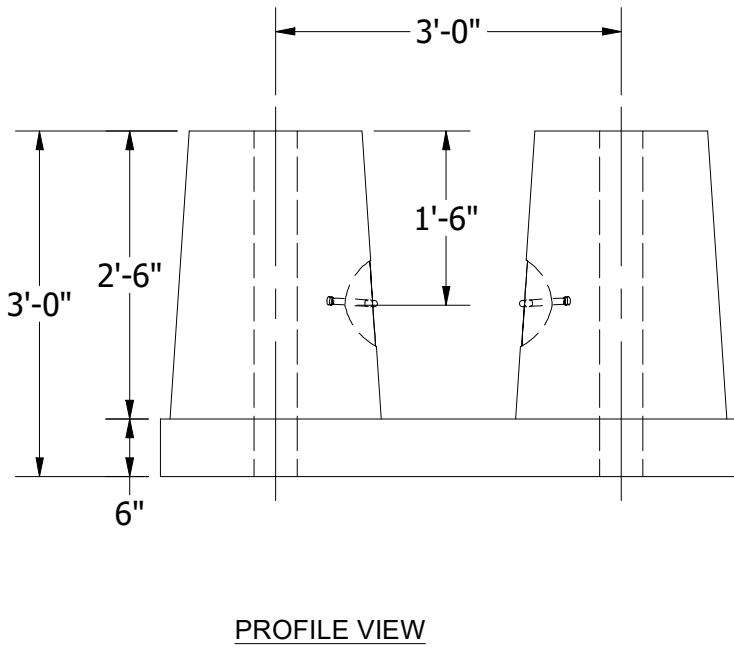
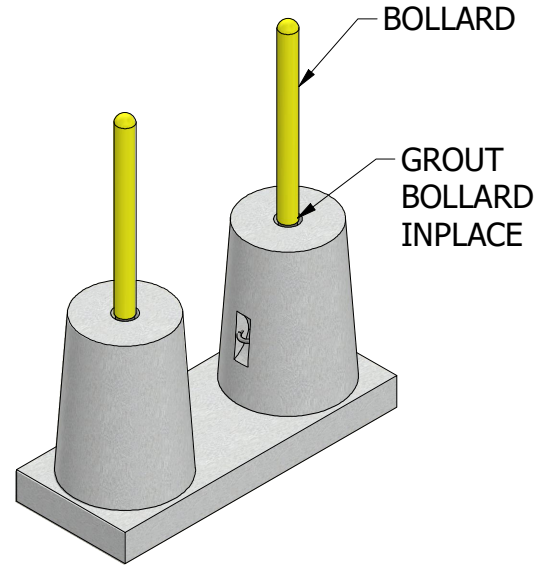
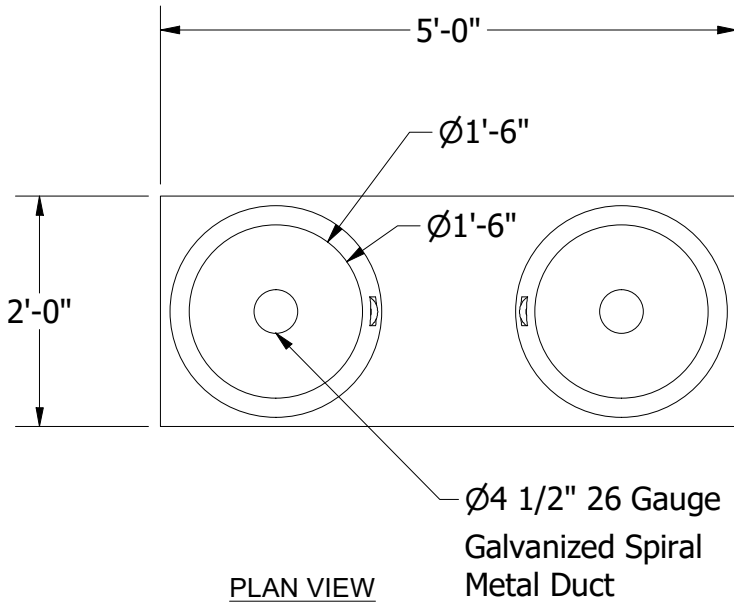




BF-2

PART INFORMATION	
PART NUMBER	APPROX WEIGHT
BF-2	2,325 lbs



LOCATION: T:\Drawings\Vault\DESIGNS\EVEZ\Bollards\BF-2.dwg



240 W. LOS ANGELES AVE. SIMI VALLEY, CA 93065
 P: (805) 527-0841 F: (805) 584-0769,
 WWW.PRE-CONPRODUCTS.COM

THE CONTENTS OF THESE DRAWINGS ARE THE PROPERTY OF PRECON PRODUCTS AND ARE PROPRIETARY AND CONFIDENTIAL. THESE DOCUMENTS SHALL NOT BE DISSEMINATED FOR ANY OTHER USE, WITHOUT THE WRITTEN CONSENT OF PRECON PRODUCTS. IF YOU RECEIVE THESE DRAWINGS IN ERROR, RETURN TO SENDER WITHOUT READING, COPYING OR DISCLOSING THE CONTENTS.

DRAWN BY:
K.Strader
 DATE:
7/5/2022

TITLE:
BF-2
2'-0"x 5'-0"x 3'-0" BOLLARD FOUNDATION

SHEETS:
1 OF 1
 DO NOT SCALE