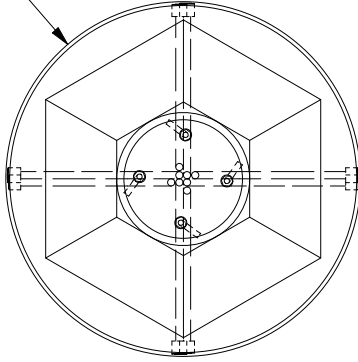
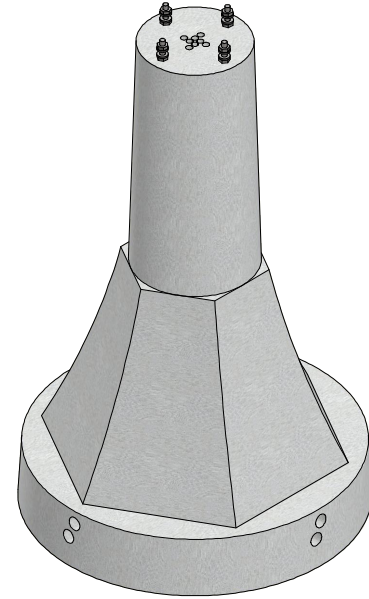


PART INFORMATION	
PART NUMBER	APPROX WEIGHT
EVEZ-48-9-36-LPB	3,690 lbs

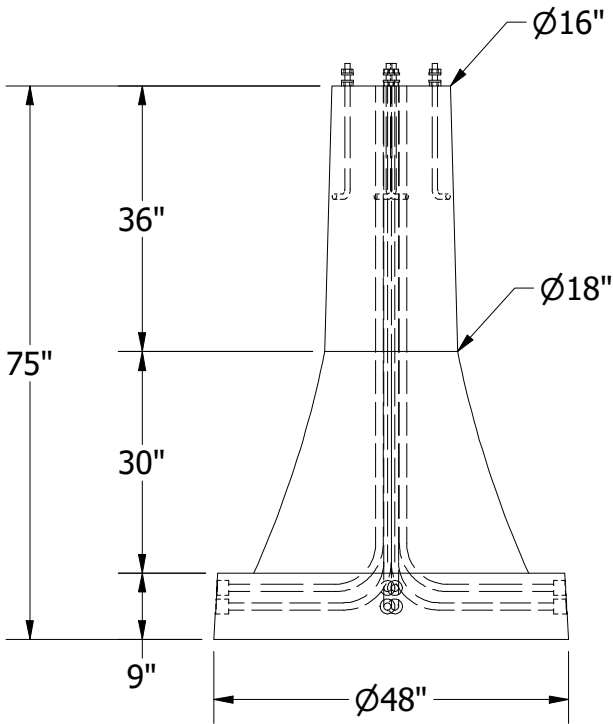
Ø48"



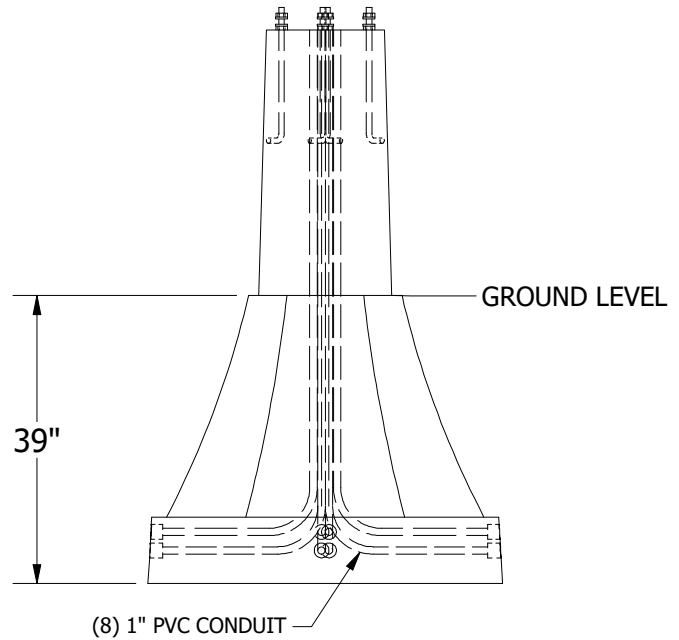
PLAN VIEW



ISOMETRIC VIEW



PROFILE VIEW



SIDE VIEW

HEAVEST PICK: 4,680 LBS



240 W. LOS ANGESE AVE. SIMI VALLEY, CA 93065  
 P: (805) 527-0841 F: (805) 584-0769,  
 WWW.PRE-CONPRODUCTS.COM

THE CONTENTS OF THESE DRAWINGS ARE THE PROPERTY OF PRECON PRODUCTS AND ARE PROPRIETARY AND CONFIDENTIAL. THESE DOCUMENTS SHALL NOT BE DISSEMINATED FOR ANY OTHER USE, WITHOUT THE WRITTEN CONSENT OF PRECON PRODUCTS. IF YOU RECEIVE THESE DRAWINGS IN ERROR, RETURN TO SENDER WITHOUT READING, COPYING OR DISCLOSING THE CONTENTS.

DRAWN BY:  
**K.STRADER**  
 DATE:  
**1/17/2024**

TITLE:  
**EVEZ-48-9-36-LPB**  
**LIGHT POLE BASE**

SHEETS:  
**1 OF 1**

DO NOT SCALE